

# LIQUID RECEIVERS



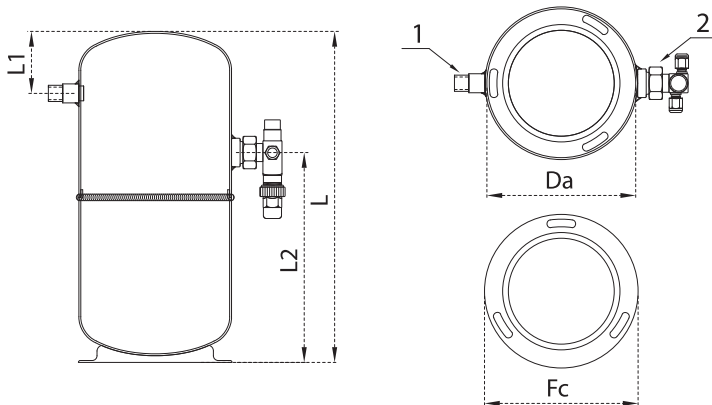
The following list includes standard products only.  
Upon special request, these standard products can be modified according to the Directive 97/23/EC.

- Sight glass may be reduced or increased according to the requirement.
  - Sight glasses may be produced in various dimensions according to the requirement.
  - Inlet & Outlet connections can be used in various dimensions and features according to the requirement.
  - Liquid level sensor connections can be used according to the requirement.
- 1/2" NPT connection is used as standard. However, LLS-01 model that is supplied by us uses M20x1.5 coupling sleeves.
- Please see the page 45 for further information about the product.
- Different coupling sleeves may be used according to the safety valve that you will use and its connection.



- Products in different volume and design may be produced upon request.

Please contact us for further detail.



1 Outlet Connection  
2 Inlet Connection

Vertical Liquid Receivers ( Deep Drawn )

Model	Volume (Lt)	Dimensions					Connections			CE 97/23/EC 32 Bar
		Da (mm)	L (mm)	L1 (mm)	L2 (mm)	Fc (mm)	Inside	Outside		
							Solder	Rotolock Connection	Rotolock Valve	
VLR-01	1	∅ 89	200	45			1/4" ODS	1" Rot.	1/4" ODS	SEP
VLR-02	2	∅ 120	210	50	140	∅ 135 (VFC-135)				
VLR-03	3	∅ 140	228	55	150	∅ 161 (VFC-161)	3/8" ODS	1" Rot.	3/8" ODS	CAT I A1
VLR-04	4		298	60	185					
VLR-05	5	∅ 160	297	65	220	∅ 182 (VFC-182)	1/2" ODS	1" Rot.	1/2" ODS	CAT II A1
VLR-06	6		347		240					
VLR-08	8	∅ 180	380	80	255	5/8" ODS	1" Rot.	5/8" ODS		
VLR-09	9		410		270					
VLR-10	10	∅ 219	460	80	290	3/4" ODS	1" Rot.			
VLR-12	12		360		220					
VLR-14	14	∅ 219	410	80	250	5/8" ODS	1" Rot.	5/8" ODS		
VLR-16	16		480		290					
VLR-18	18	∅ 219	540	80	210	3/4" ODS	1" Rot.			
VLR-21	21		610		210					