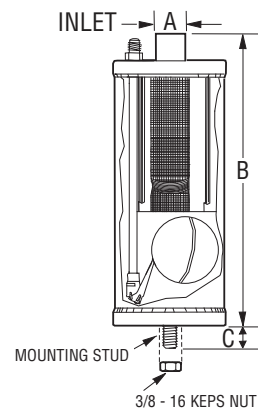


600 Series

Model 600, 601, 602, 603, 604, 605 Conventional Oil Separator: Hermetic Impingement

Model	Maximum Working Pressure	Oil Connector Size	Diameter	Dimensions			Oil Charge Amount	
				A	B	C		
600	650 PSIG	1/4" SAE	4"	3/8" ODS	8-1/8"	3/4"	12 oz	355 ml
601	650 PSIG	1/4" SAE	4"	1/2" ODS	10-1/4"	3/4"	12 oz	355 ml
602	650 PSIG	1/4" SAE	4"	5/8" ODS	12-7/8"	3/4"	12 oz	355 ml
603	650 PSIG	1/4" SAE	4"	7/8" ODS	14-5/8"	3/4"	12 oz	355 ml
604	650 PSIG	1/4" SAE	4"	1-1/8" ODS	15-1/2"	3/4"	12 oz	355 ml
605	650 PSIG	1/4" SAE	4"	1-3/8" ODS	18-7/8"	3/4"	12 oz	355 ml

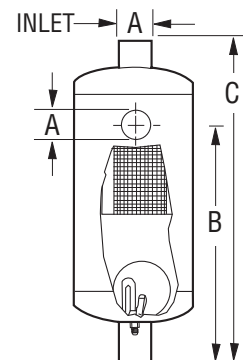
UL cUL CE CRN SF



Model 606, 607 Conventional Oil Separator: Hermetic Impingement

Model	Maximum Working Pressure	Oil Connector Size	Diameter	Dimensions			Oil Charge Amount	
				A	B	C		
606	650 PSIG	1/4" SAE	6"	1-5/8" ODS	13-1/2"	18-3/8"	29 oz	850 ml
607	650 PSIG	1/4" SAE	6"	2-1/8" ODS	14-1/2"	19-3/8"	29 oz	850 ml

UL cUL CE CRN

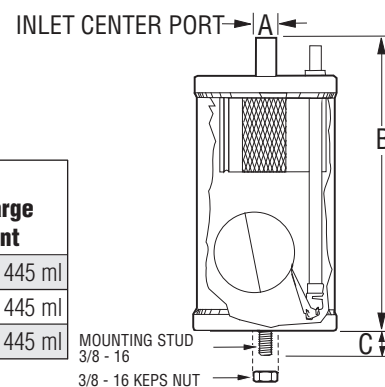


900 Series

Model 900, 900-1, 901 Coalescent Oil Separator: Hermetic

Model	Maximum Working Pressure	Oil Connector Size	Diameter	Dimensions			Oil Charge Amount	
				A	B	C		
900	650 PSIG	1/4" ODS	4"	3/8" ODS	8-1/4"	3/4"	15 oz	445 ml
900-1	650 PSIG	1/4" 90° ODS	4"	3/8" ODS	8-1/4"	3/4"	15 oz	445 ml
901	650 PSIG	1/4" ODS	4"	1/2" ODS	8-3/8"	3/4"	15 oz	445 ml

UL cUL CE CRN



Model 902, 903 Coalescent Oil Separator: Hermetic

Model	Maximum Working Pressure	Oil Connector Size	Diameter	Dimensions			Oil Charge Amount	
				A	B	C		
902	650 PSIG	1/4" ODS	4"	5/8" ODS	10-9/16"	3/4"	15 oz	445 ml
903	650 PSIG	1/4" ODS	4"	7/8" ODS	10-7/8"	3/4"	15 oz	445 ml

UL cUL CE CRN

